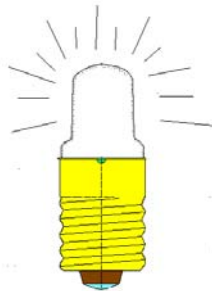


# **NIGHT PEARL LED BULB**



**Drop in replacement for incandescent flashlight lamp on one cell or two cells with low cost.**

## **Description**

Synergy with super luminous intensity LED and high efficient DC/DC converter; SINO UNION created NIGHT PEARL series LED BULBs with low cost. These LED BULB can be drop in replaced for incandescent flashlight lamp and operates on one cell or two cells only.

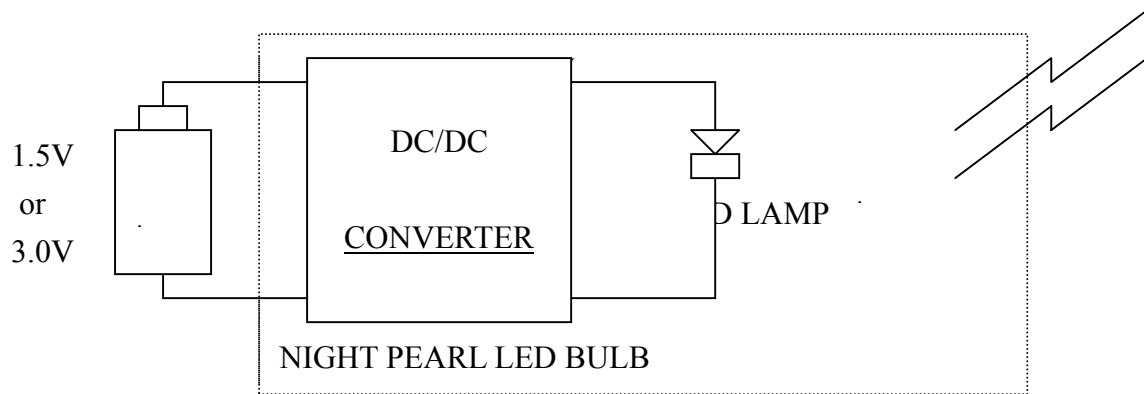
## **Features**

Benefited by new generation quantum well structure LED's superior characteristics and high efficient DC/DC converter; NIGHT PEARL LED BULB has advantage features:

- Drop in replacement
- High luminous intensity
- White color
- Low power consumption
- Energy save
- Miniature size
- Vibration resistance
- Long life
- High reliability
- Low cost
- Screw & Flange base

## **Structure**

**NIGHT PEARL LED BULB structure:**

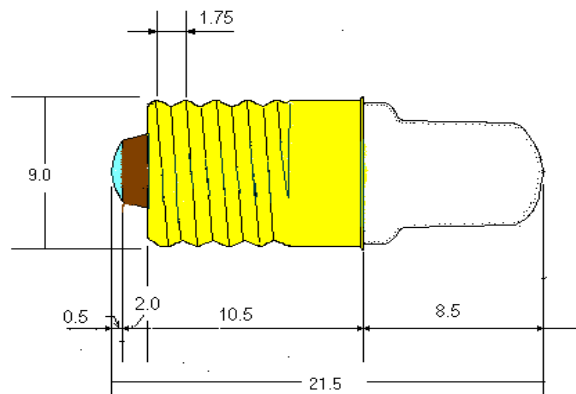


**Specification**

**NIGHT PEARL LED Bulb**

Part No.	Typical Voltage	Typical Current	Luminous Intensity	Luminous Angles	Minimum Voltage	Maximum Voltage	LED Quantity
NPLB-128R	2.85	120mA	72 cd	180°	1.2V	3.2V	1 Piece
NPLB-213R	1.35	200mA	36 cd	180°	0.6V	1.6V	1 Piece

**Dimension**



**Polarity**

- Center contact polarity is positive.

**Net Weight**

- 3 Grams per LED BULB

### **Operating Temperature**

- -4°C to 50°C

### **Caution**

- The LED light output is strong enough to injure human eyes.  
Precautions must be taken to prevent looking directly at the LED with unaided eyes for more than a few seconds.

### **Glossary**

- LED Light Emitting Diode.

### **Packaging**

- 100pcs per inner plain box
- 2000pcs per export carton

### **Carton Size**

- 31cm x 23cm x 44cm

### **Gross Weight**

- 12kg per carton

### **Company Information**

Company : **SINO UNION TECHNOLOGY LTD**

Address : Unit 39, 16/F., Block D, Wah Lok Industry Centre  
37-41 Shan Mei Street Fo Tan, N.T., Hong Kong.

Tel : (852) 2687 6516 (852) 2687 6175

Fax : (852) 2687 6975

Email : [horace@sinounion.com.hk](mailto:horace@sinounion.com.hk)

Contact Person : Mr. Horace Lee

August 9, 2001